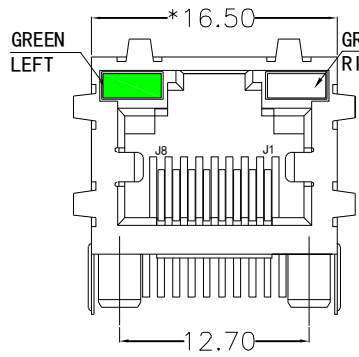
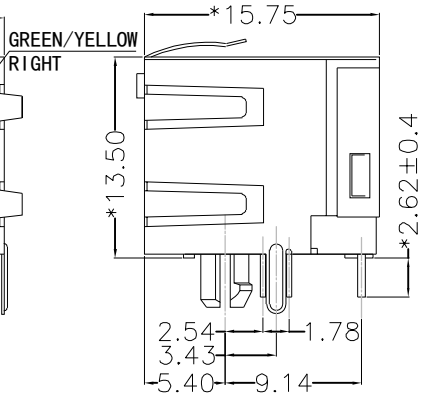


REACH & RoHS  
COMPLIANT

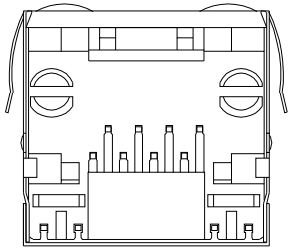
REV.	ECN / DESCRIPTION	BY	DATE
A0	NEW	ZG.HU	2017.11.8



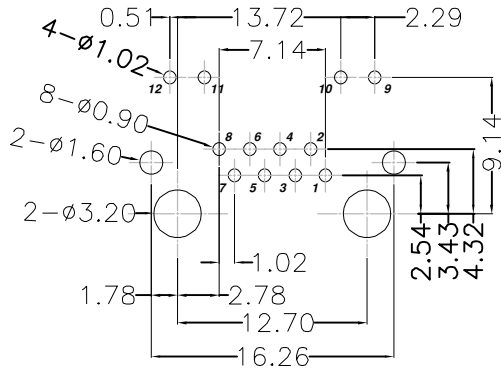
FRONT VIEW



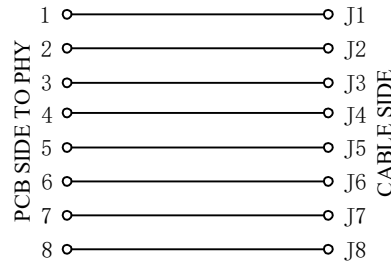
RIGHT SIDE VIEW



BOTTOM VIEW



RECOMMENDED PCB LAYOUT  
VIEWED FROM COMPONENT SIDE



**MATERIAL:**

HOUSING: FR52,UL94V-0,BLACK.  
TERMINAL: PHOSPHOR BRONZE T=0.35MM,  
50U" GOLD PLATING ON CONTACT AREA.  
SHIELD: C2680,T=0.20MM,20U" MIN NICKEL PLATING  
ON ALL AREA.

**MACHANICAL:**

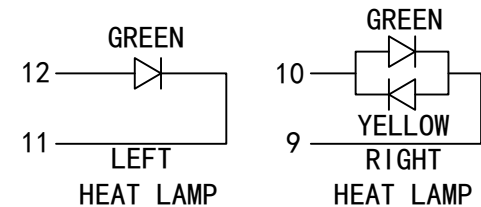
DURABILITY: 750 CYCLES MIN,12.5MM/MINUTE.  
INSERTION FORCE: 2.2KG.F MAX.  
RETENTION STRENGTH : 7.7KG.F BETWEEN JACK AND PLUG.  
OPERATING TEMPERATURE: -40°C~+85°C.  
STORAGE TEMPERATURE: -40°C~+85°C.  
ALL CRITICAL DIMENSIONS WITH "\*"

**ELECTRICAL:**

VOLTAGE: 125 VOLTS AC.  
CURRENT RATING : 1.5AMP.  
DIELECTRIC STRENGTH: 1000 VAC RMS 50HZ OR 60HZ,1MIN.  
INSULATION RESISTANCE: 500 MEGA OHMS MIN. INITIAL  
AFTER 500V DC FOR 1 MINUTE.  
CONTACT RESISTANCE: SINGLE TERMINAL 30 MILLIOHMS MAX. AFTER  
INITIAL 50 MILLIOHMS MAX. AFTER  
DURABILITY TEST.

**LED Specification**

Standard LED Color	LED Wavelength	Foward(A)	Foward(V)
Green	568nm	20mA	1.85-2.45V
Yellow	585nm	20mA	1.7-2.2V



**DGKYD**

东莞市科优达电子科技有限公司  
Dong Guan Ke You Da Electronic Tech.Co.,Ltd

ADD: No.1 LiHe Street,LiHeng Village, Qingxi town, DongGuan City, GuangDong Province  
Tel:+86-0769-87334608; Fax:+86-0769-87847129 WWW.DGKYD.COM

TITLE:  
RJ45直通 56带灯带翅

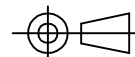
PART NO.:  
DGKYD561188DE3A8DB7H

REMARK:

SIZE  
A4

SACLE  
1:1

SHEET  
1/1



UNITS  
MM[INCH]

GENERAL TOLERANCES  
UNLESS SPECIFIED

REV  
A0

APPROVED BY:  
JP.Gong

CHECKED BY:  
TW.Xu

DESIGND BY:  
ZG.Hu